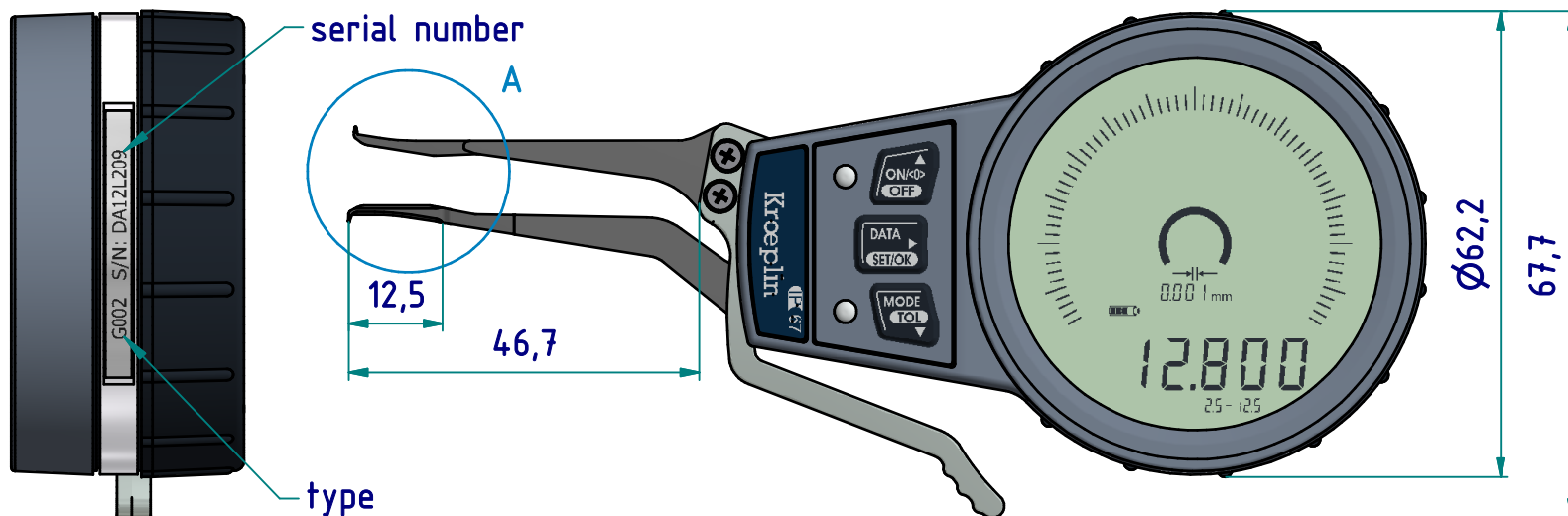
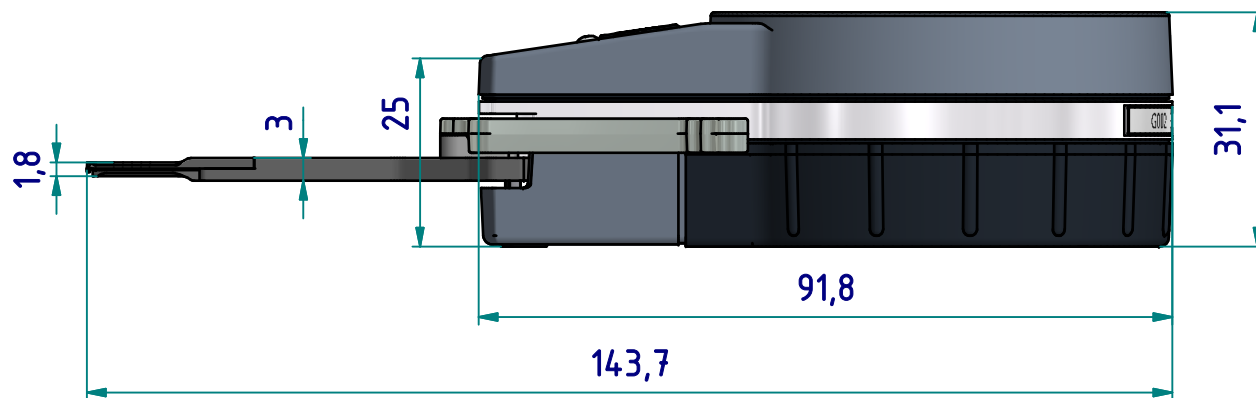
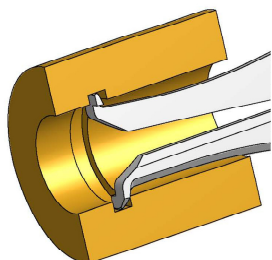
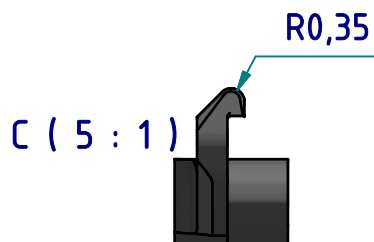
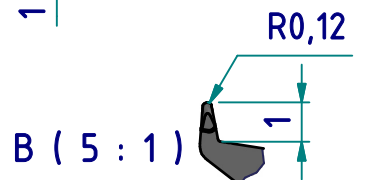
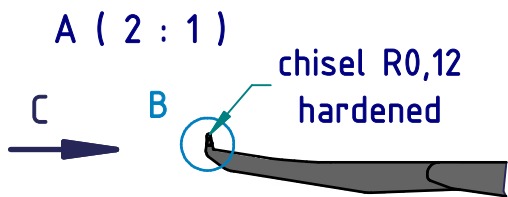


data sheet: G002

Kroepflin GmbH
Gartenstraße 50
D-36381 Schlüchtern

Tel.: 06661 86 0
Fax: 06661 86 39
Mail: sales@kroepflin.com
Web: www.kroepflin.com

Kroepflin
Längenmesstechnik



subject to technical alterations

type: **G**
range: 2,5 - 12,5 mm
range of indication: 2,4 - 12,8 mm
digital step: 0,001 mm
scale interval: -
measuring force: 0,8 - 1,3 N
weight: 160 g

acceptable deviations
VDI/VDE/DGQ 2618 Bl. 12.1/13.1)
max. permissible
errors "G": 0,01 mm
repeatability "r": 0,005 mm
reference temperature: 20° C
operation temperature: 10° C - 30° C
storage temperature: -10° C - 50° C

scale: 1:1
drawing-nr.: DAB-G002-KR-e
date of issue: 09.02.2017
name: L.Simon
revision status:
revision date: