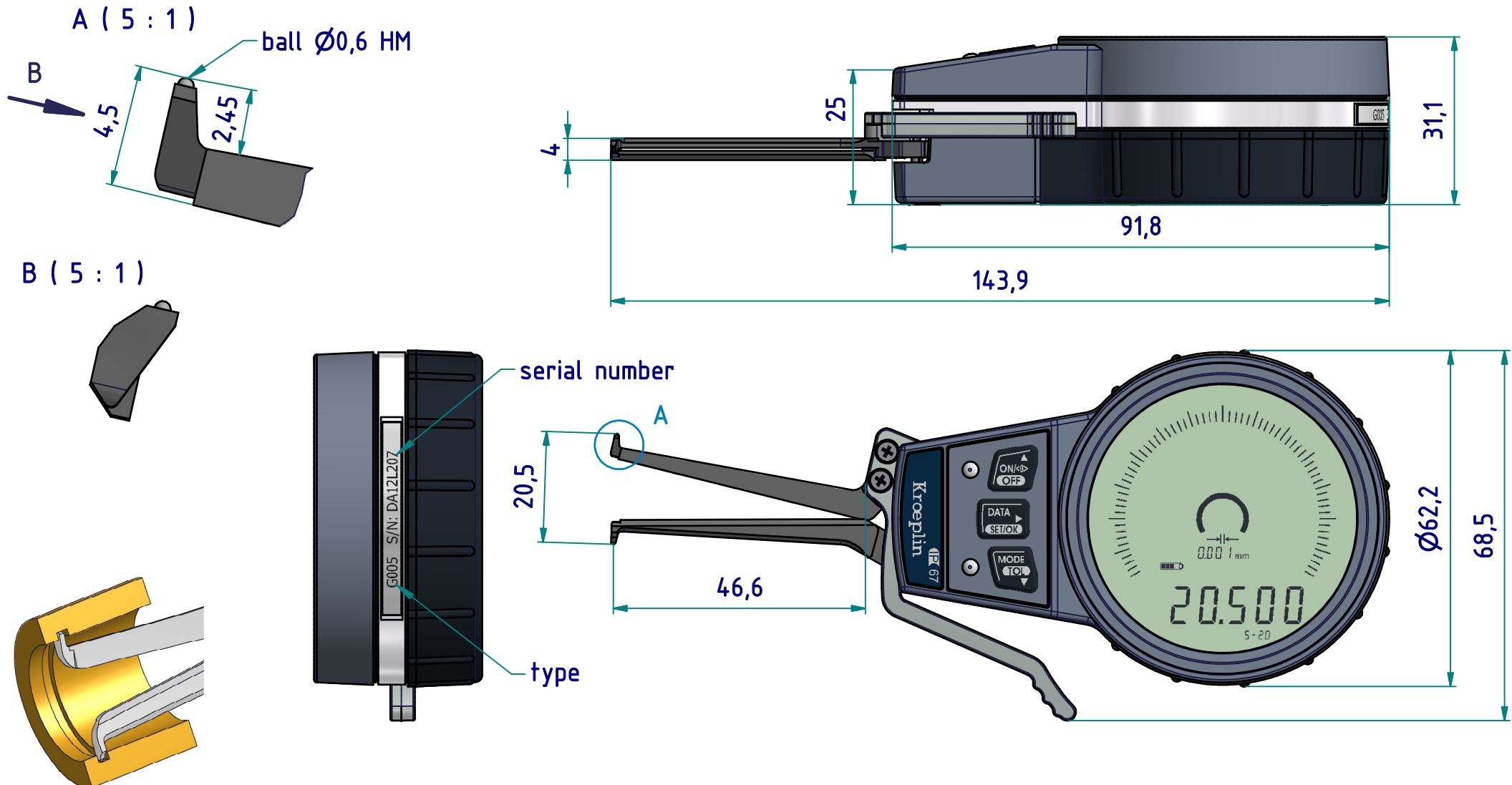


# data sheet: G005

Kroepelin GmbH  
Gartenstraße 50  
D-36381 Schlüchtern

Tel.: 06661 86 0  
Fax: 06661 86 39  
Mail: sales@kroepelin.com  
Web: www.kroepelin.com

**Kroepelin**  
Längenmesstechnik



Subject to technical alterations

type: **G**  
range: 5 - 20 mm  
range of indication: 4,7 - 20,5 mm  
digital step: 0,001 mm  
scale interval: -  
measuring force: 0,8 - 1,3 N  
weight: 160 g

acceptable deviations  
VDI/VDE/DGQ 2618 Bl. 12.1/13.1)  
max. permissible  
errors "G": 0,01 mm  
repeatability "r": 0,005 mm  
reference temperature: 20° C  
operation temperature: 10° C - 30° C  
storage temperature: -10° C - 50° C

scale: 1:1  
drawing-nr.: DAB-G005-KR-e  
date of issue: 09.02.2017  
name: L.Simon  
revision status:  
revision date: