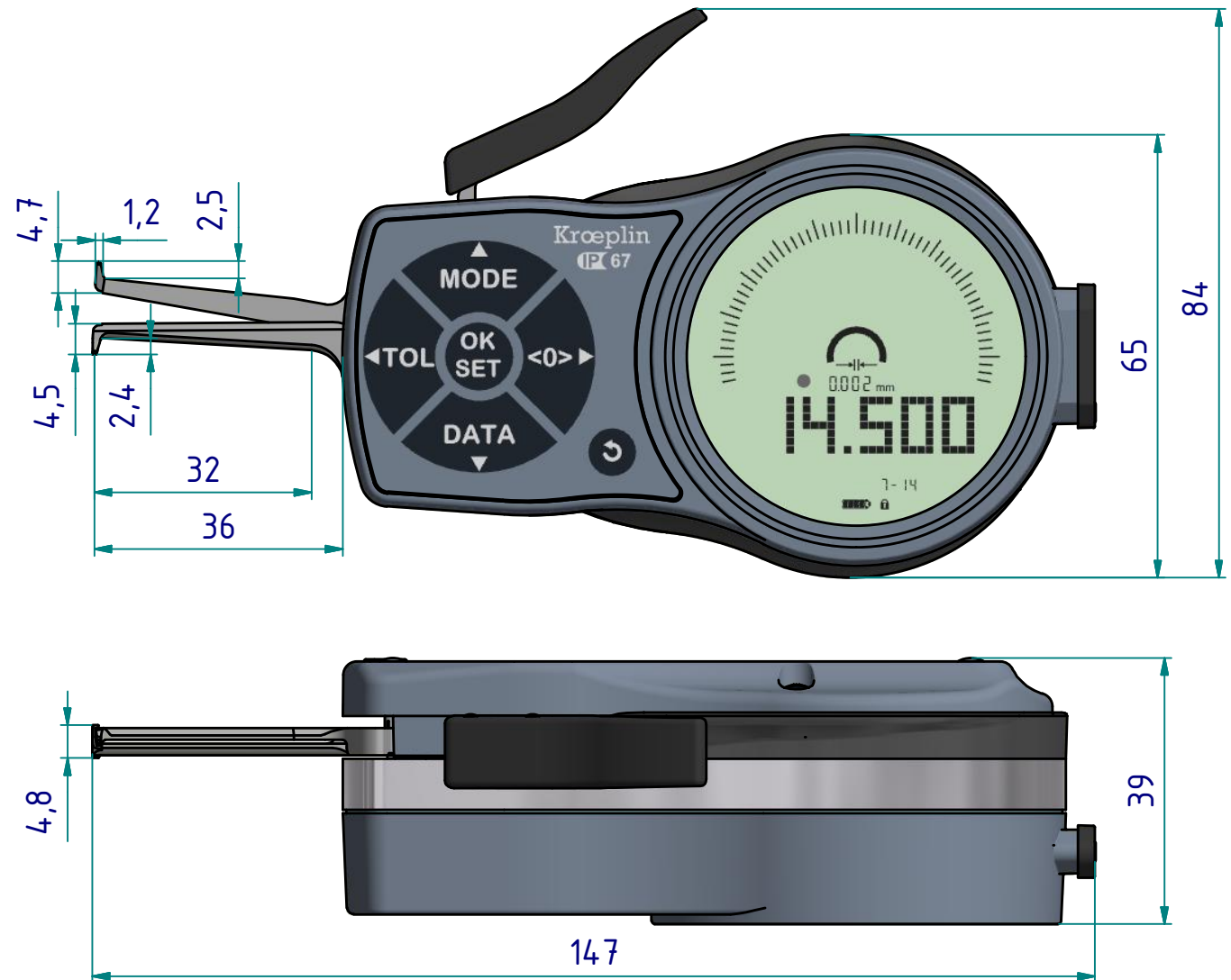
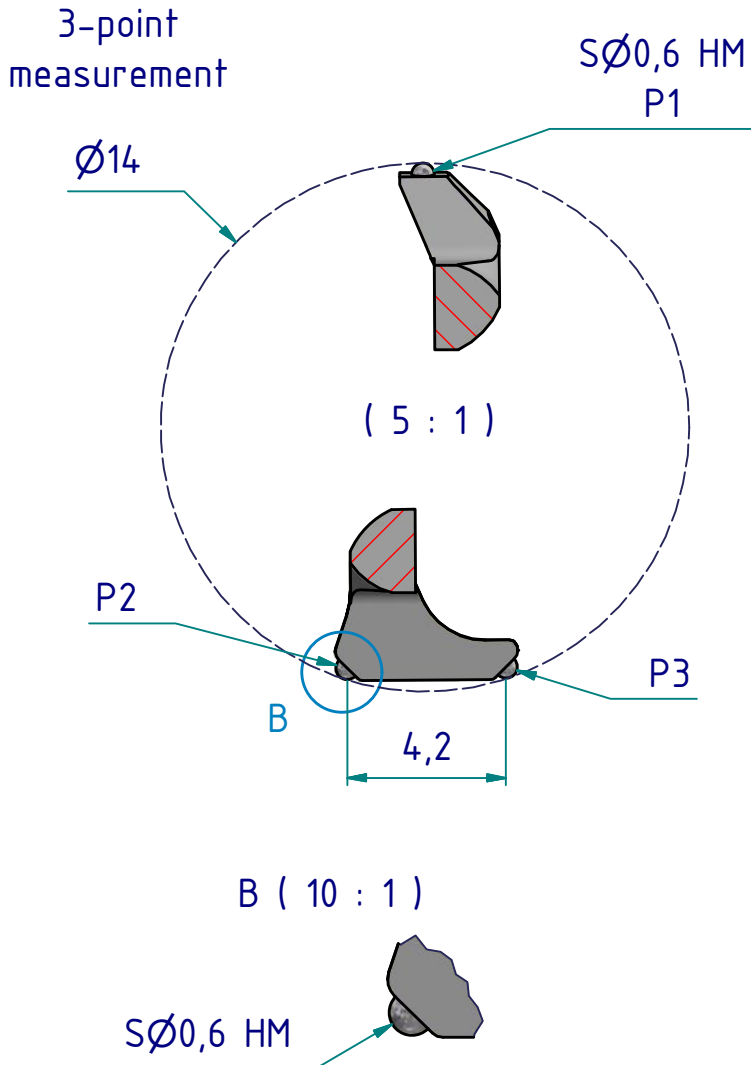


# data sheet: L107P3

Kroepelin GmbH  
Gartenstraße 50  
D-36381 Schlüchtern

Tel.: 06661 86 0  
Fax: 06661 86 39  
Mail: sales@kroepelin.com  
Web: www.kroepelin.com

**Kroepelin**  
Längenmesstechnik



subject to technical alterations

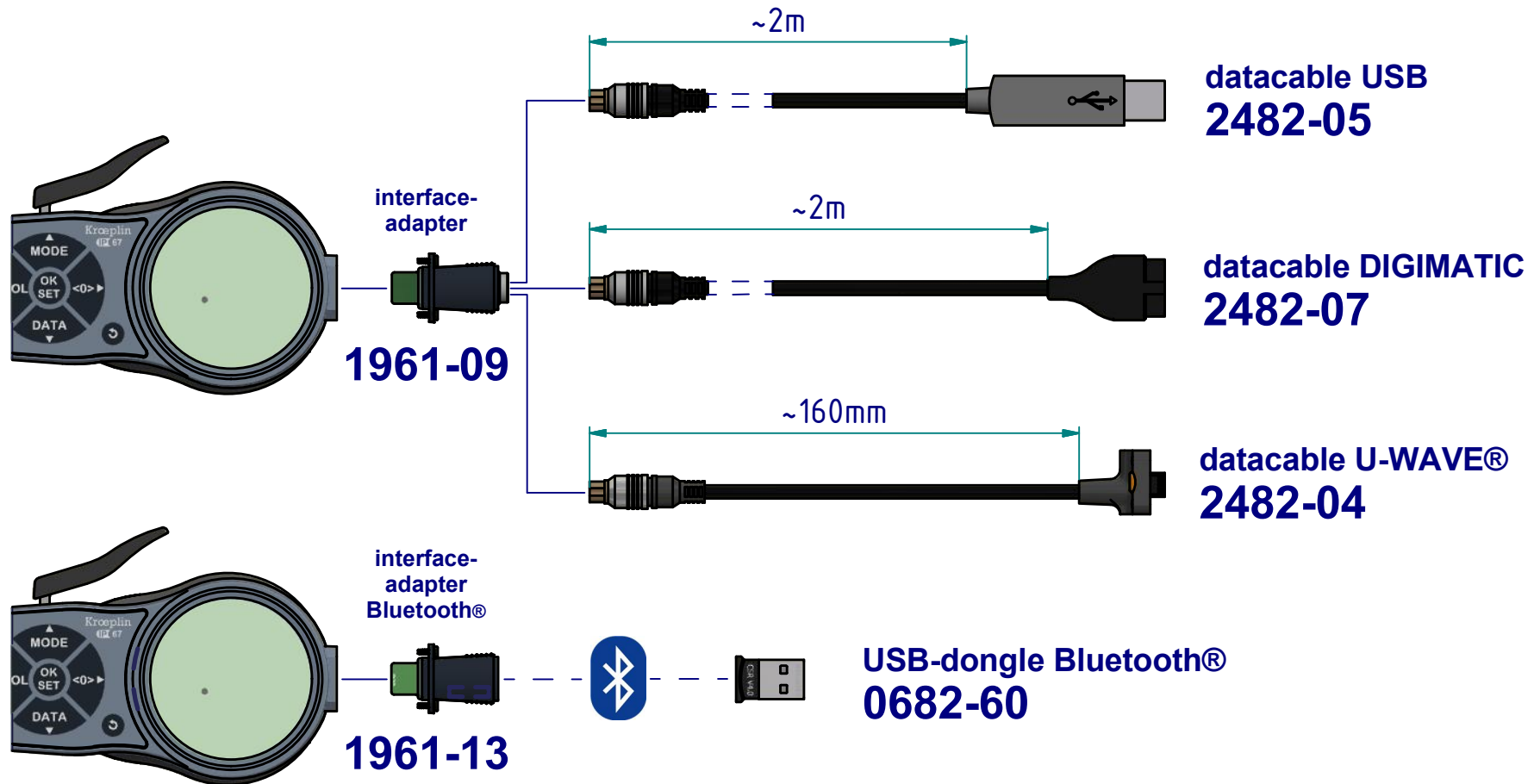
**type:** L - P3  
**range:** 7 - 14 mm  
**range of indication:** 6,8 - 14,5 mm  
**digital step:** 0,002 mm  
**scale interval:** -  
**measuring force:** 1,0 - 1,4 N  
**weight:** 250 g

acceptable deviations  
VDI/VDE/DGQ 2618 Bl. 12.1/13.1)  
**max. permissible errors "G":** 0,01 mm  
**repeatability "r":** 0,004 mm  
**reference temperature:** 20° C  
**operation temperature:** 10° C - 30° C  
**storage temperature:** -10° C - 50° C

**scale:** 1:1  
**drawing-nr.:** DAB-L107P3-K-e  
**date of issue:** 21.01.2020  
**name:** B. Schmidt  
**revision status:**  
**revision date:**



interface as accessories available:



subject to technical alterations

drawing-nr.:	DAB-L107P3-K-e
date of issue:	21.01.2020
name:	B. Schmidt
revision status:	
revision date:	