

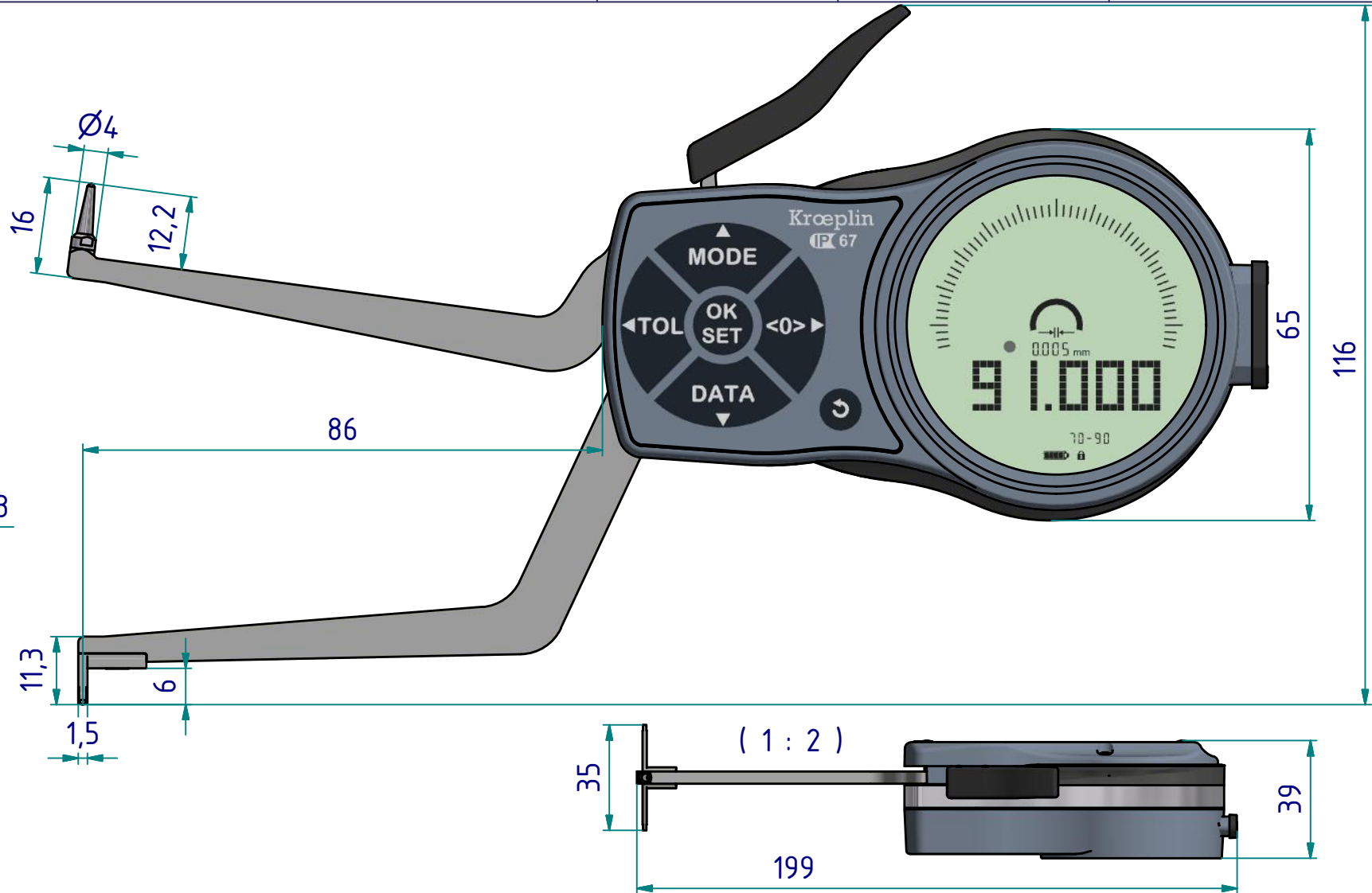
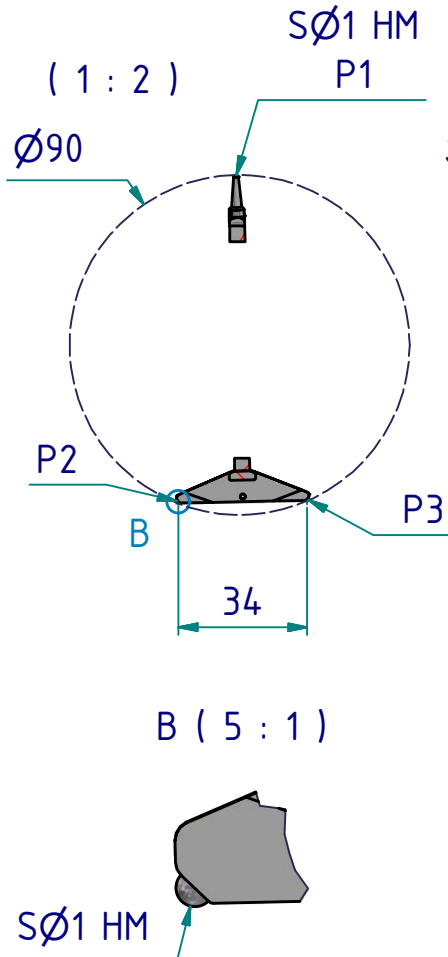
data sheet: L270P3

Kroepin GmbH
Gartenstraße 50
D-36381 Schlüchtern

Tel.: 06661 86 0
Fax: 06661 86 39
Mail: sales@kroepin.com
Web: www.kroepin.com

Kroepin
Längenmesstechnik

3-point
measurement



subject to technical alterations

type: L - P3
range: 70 - 90 mm
range of indication: 69,5 - 91 mm
digital step: 0,005 mm
scale interval: -
measuring force: 1,1 - 1,6 N
weight: 295 g

acceptable deviations
VDI/VDE/DGQ 2618 Bl. 12.1/13.1)
max. permissible errors "G": 0,02 mm
repeatability "r": 0,01 mm
reference temperature: 20° C
operation temperature: 10° C - 30° C
storage temperature: -10° C - 50° C

scale: 1:1
drawing-nr.: DAB-L270P3-K-e
date of issue: 21.01.2020
name: B. Schmidt
revision status:
revision date:

measuring capacity

measuring range Meb [mm]

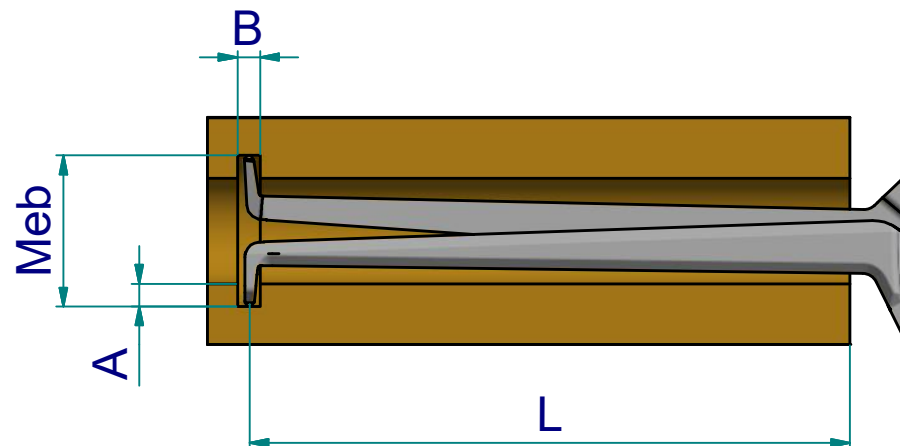
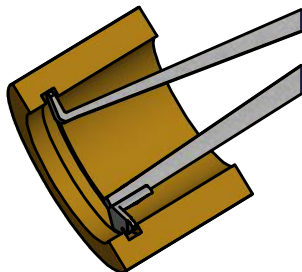
	70	72	74	76	78	80	82	84	86	88	90
0	0 / 81	0 / 81	0 / 82	0 / 82	0 / 82	0 / 83	0 / 83	0 / 83	0 / 83	0 / 84	0 / 84
1		1,6 / 81	1,6 / 81	1,6 / 82	1,6 / 82	1,6 / 82	1,6 / 83	1,7 / 83	1,7 / 83	1,7 / 83	1,7 / 83
2			1,7 / 81	1,7 / 81	1,7 / 82	1,7 / 82	1,7 / 83	1,7 / 83	1,8 / 83	1,8 / 83	1,8 / 83
3				1,8 / 81	1,8 / 82	1,8 / 82	1,8 / 83	1,9 / 83	1,9 / 83	2,0 / 83	2,0 / 83
4					2,0 / 82	2,0 / 82	2,0 / 83	2,0 / 83	2,1 / 83	2,2 / 83	2,2 / 83
5						2,2 / 82	2,2 / 83	2,2 / 83	2,3 / 83	2,4 / 83	2,4 / 83
6							2,4 / 82	2,4 / 82	2,5 / 83	2,6 / 83	2,7 / 83
7								2,7 / 82	2,7 / 83	2,8 / 83	2,9 / 83
8									2,9 / 83	2,9 / 83	3,1 / 83
	B / L										

B = minimum groove width [mm]

L = maximum usable arm length [mm]

Example: Meb = 76 B = 1,7

A = 2 L = 81

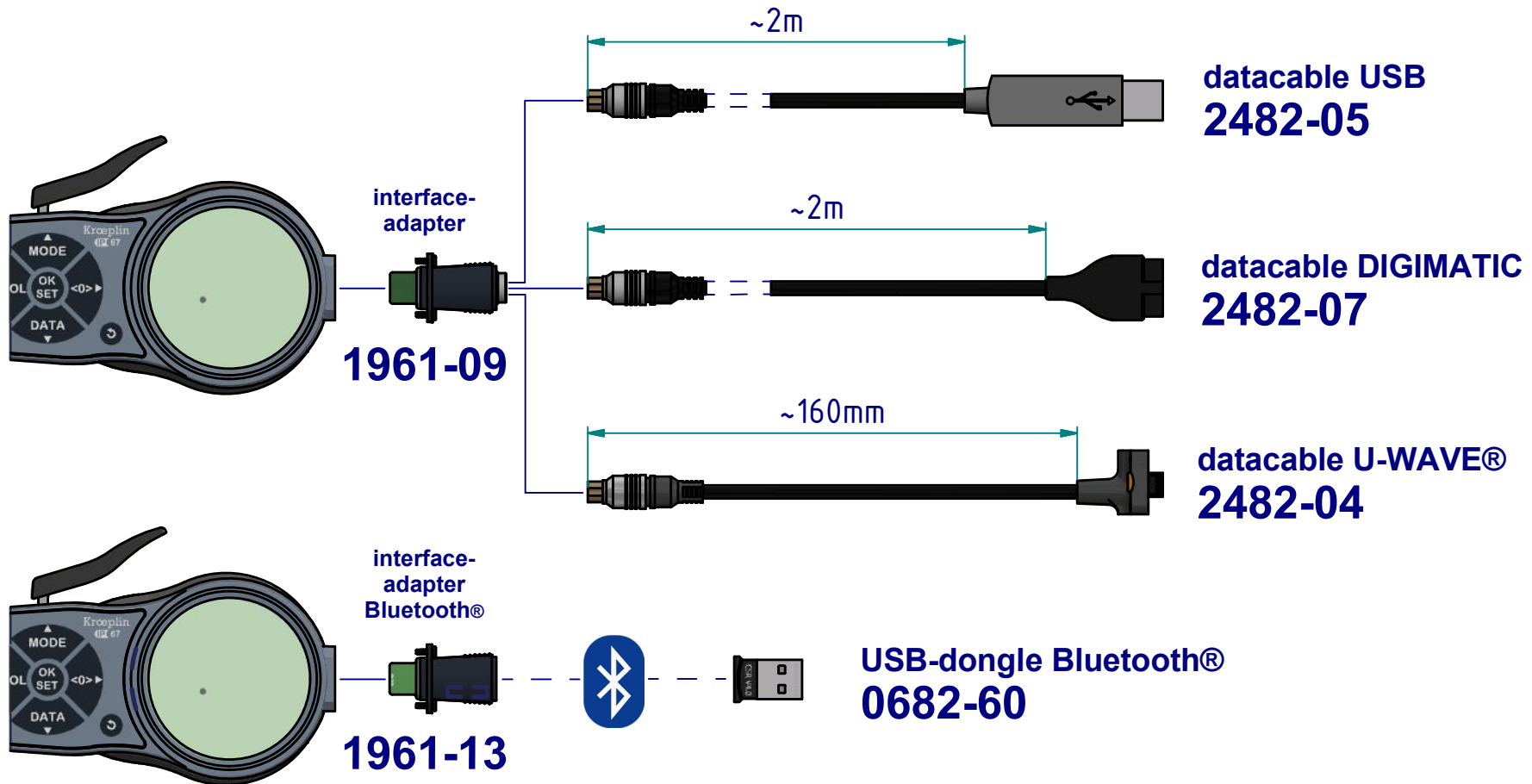


subject to technical alterations

drawing-nr.: DAB-L270P3-K-e
date of issue: 21.01.2020
name: B. Schmidt

revision status:
revision date:

interface as accessories available:



subject to technical alterations

drawing-nr.:	DAB-L270P3-K-e
date of issue:	21.01.2020
name:	B. Schmidt
revision status:	
revision date:	