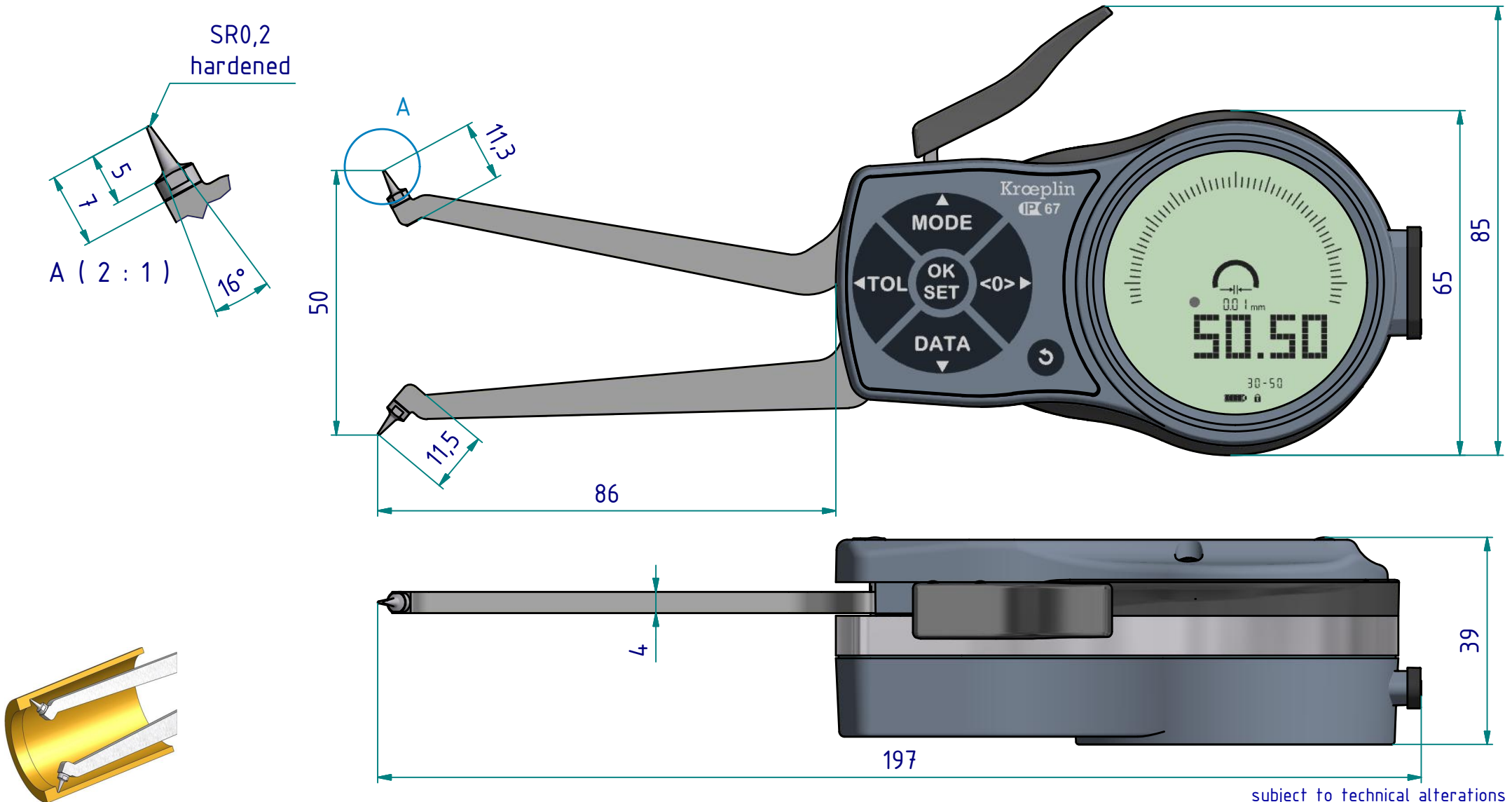


# data sheet: L2G30

Kroepelin GmbH  
Gartenstraße 50  
D-36381 Schlüchtern

Tel.: 06661 86 0  
Fax: 06661 86 39  
Mail: sales@kroepelin.com  
Web: www.kroepelin.com

**Kroepelin**  
Längenmesstechnik



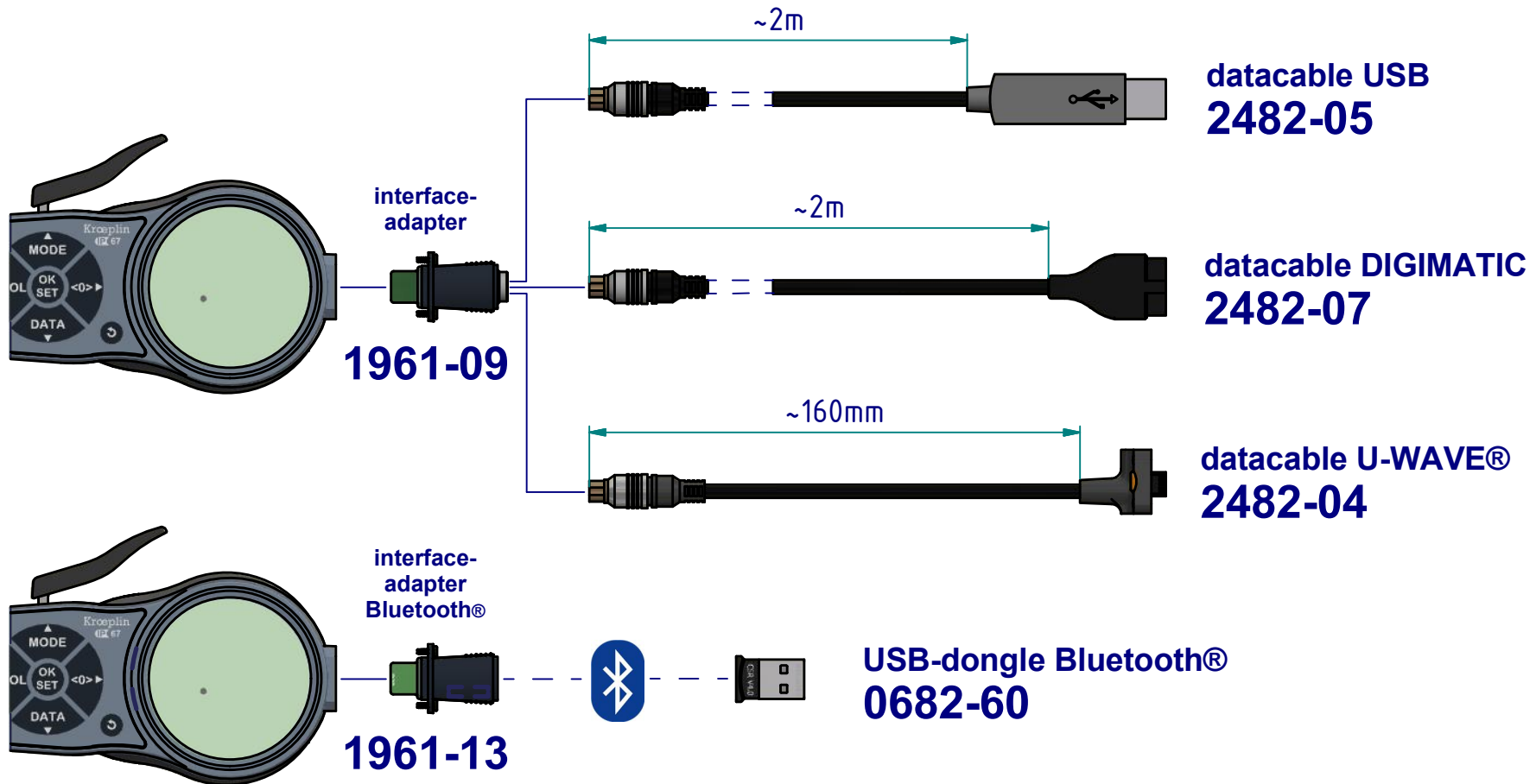
subject to technical alterations

**type:** L  
**range:** 30 - 50 mm  
**range of indication:** 29,5 - 50,5 mm  
**digital step:** 0,01 mm  
**scale interval:** -  
**measuring force:** 1,1 - 1,6 N  
**weight:** 275 g

acceptable deviations  
VDI/VDE/DGQ 2618 Bl. 12.1/13.1)  
**max. permissible errors "G":** 0,03 mm  
**repeatability "r":** 0,01 mm  
**reference temperature:** 20° C  
**operation temperature:** 10° C - 30° C  
**storage temperature:** -10° C - 50° C

**scale:** 1:1  
**drawing-nr.:** DAB-L2G30-K-e  
**date of issue:** 13.05.2020  
**name:** B. Schmidt  
**revision status:**  
**revision date:**

interface as accessories available:



subject to technical alterations

drawing-nr.:	DAB-L2G30-K-e
date of issue:	13.05.2020
name:	B. Schmidt
revision status:	
revision date:	